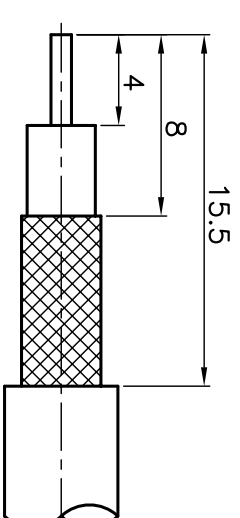
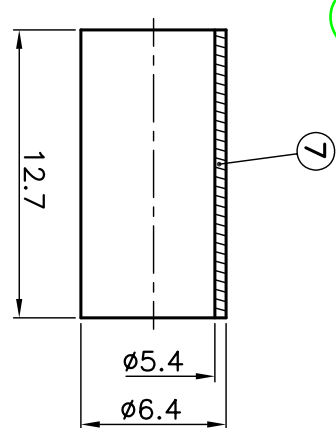
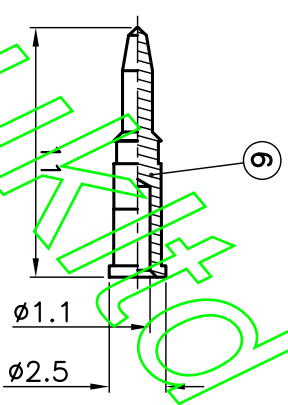
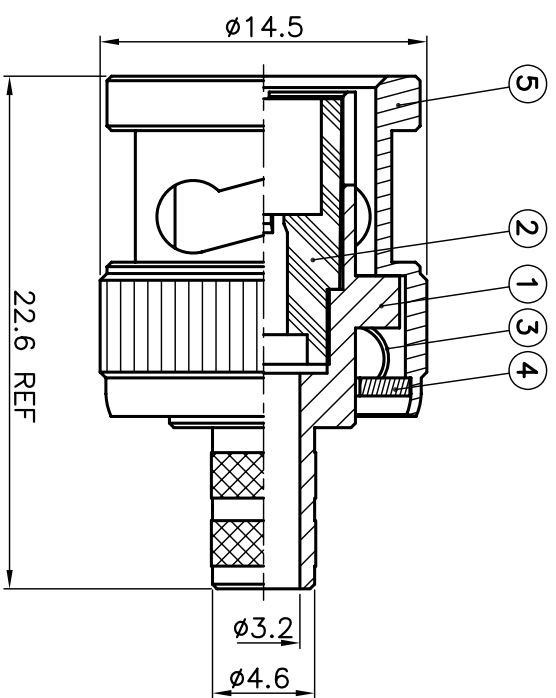


ISS	DESCRIPTION \ DATE

REVISIONS



RECOMMENDED
CABLE STRIPPING DIM'S



1. CRIMPED FERRULE
HEX CRIMP SIZE ".213"
2. CRIMPED CONTACT PIN
HEX CRIMP SIZE ".068"

CONNECTORS CABLES
BBS
SPECIALISTS LTD.

TITLE: BNC MALE CRIMP
(FOR RG58)

PART NO: BPCR58D
DRAWING NO:

APRD:	UNLESS OTHERWISE SPECIFIED TOLERANCES
CHKD:	0.5-6 = ±0.2
DR:	>6-30 = ±0.4
	>30-120 = ±0.6
	>120-315 = ±1.0
	>315-1000 = ±1.6
	ANGLES = ±5°

DATE: 08/16/07"	UNIT: mm
SHEET: .	SCALE: 3/1

NO.	DESCRIPTION	MATERIAL	FINISH		QTY
1	FERRULE	BRASS	NICKEL	KA/2005/10527 \ KA/2005/60362	1
2	CONTACT PIN	BRASS	GOLD	KA/2005/10527 \ KA/2005/30993	1
3	SHELL	ZINC ALLOY	NICKEL	KA/2005/10528 \ KA/2005/60362	1
4	WASHER	STEEL	NICKEL	KA/2005/10523 \ KA/2005/60362	1
5	SPRING	SK-5	NICKEL	KA/2005/10524 \ KA/2005/60362	1
6	INSULATOR	DELTRIN	WHITE	KA/2005/10531	1
7	BODY	ZINC ALLOY	NICKEL	KA/2005/10528 \ KA/2005/60362	1

www.kynco.com